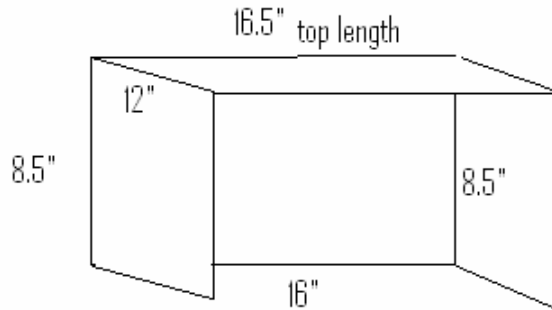
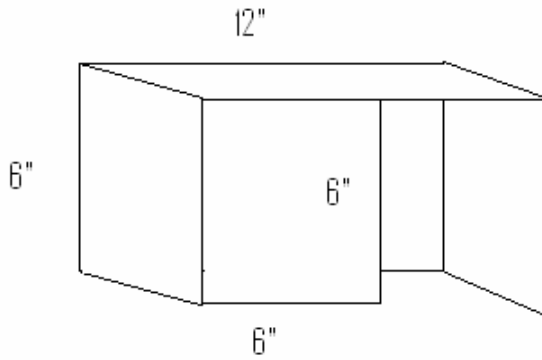


MAMMAL "HIDEY BOXES"



This is a diagram of our woodchuck & larger mammal boxes, sizes don't have to be exact. We need the same style of box in smaller lengths as well, probably ~12" for our adult rabbits.



This is a diagram of our squirrel and smaller mammal boxes. This size or slightly smaller would also be appropriate for our animals.



SQUIRREL BOX



RABBIT BOX PROBABLY ~8-10" LONG

As you can see from the pictures these boxes are made of 2 ply plywood. The bigger ones could probably use 3 ply as the animals like to sit on top of them sometimes as well. Boxes may be held together with strong wood glue for the smaller ones, probably will need small nails for the large boxes as long as there are NO SHARP TIPS sticking out.

Thanks !!

Kristi Krumlauf-*Rehabilitation Manager*
Ohio Wildlife Center
kkrumlauf@ohiowildlifecenter.org